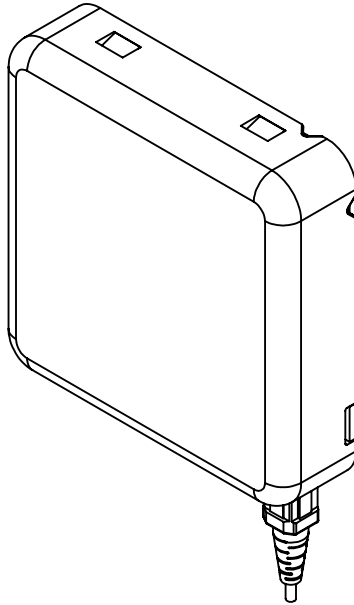
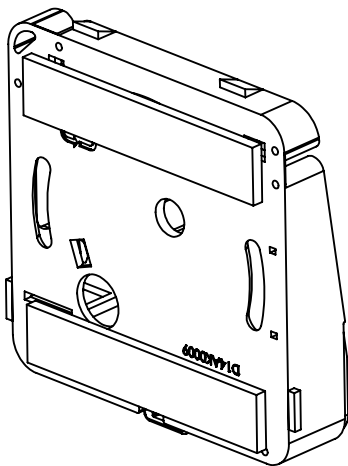


**PRELIMINARY INSTRUCTIONS
FOR REVIEW PURPOSES ONLY.**

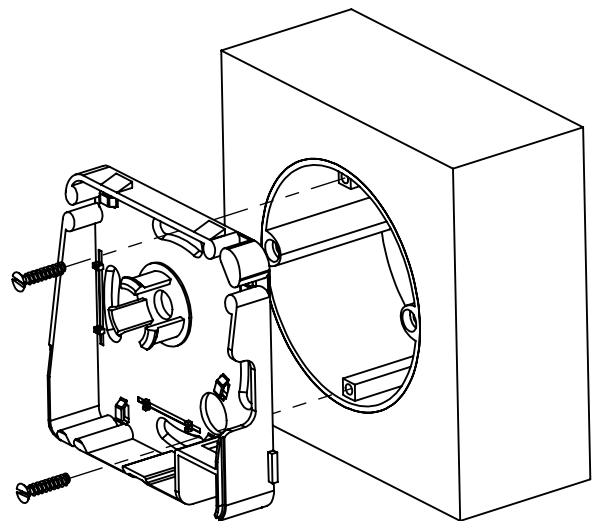


TO FIX EO MODULE TO A WALL USING SCREWS AND WALL ANCHORS SEE PAGES 2-5.

FOR COVER REMOVAL SEE PAGE 6.

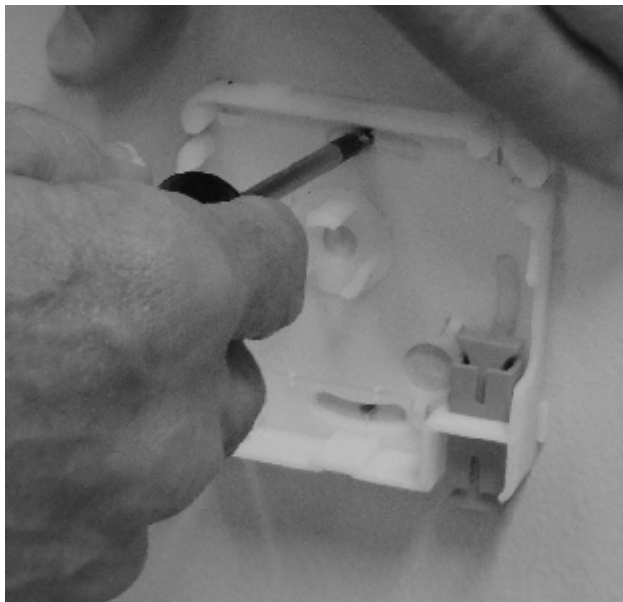


TO FIX EO MODULE TO A WALL USING DOUBLE SIDED TAPE REFER TO LOCAL PRACTICES.



TO FIX EO MODULE TO AN ELECTRICAL OUTLET REFER TO LOCAL PRACTICES.

MARK WALL



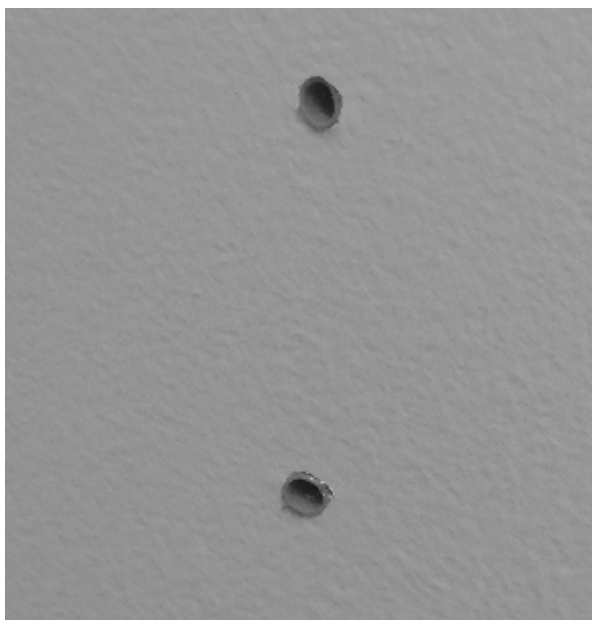
1. AWAY FROM WALL STUDS, USE THE EO MODULE BASE AS A TEMPLATE. MARK THE WALL USING A PHILLIPS #1 SCREWDRIVER (~5MM OD SHAFT)

2. USE THE PHILLIPS #1 SCREWDRIVER TO PUNCH TWO HOLES IN THE WALL OR DRILL WITH 5MM OD DRILL BIT AT THE TWO MARKS.

SCREW ANCHOR HOLES



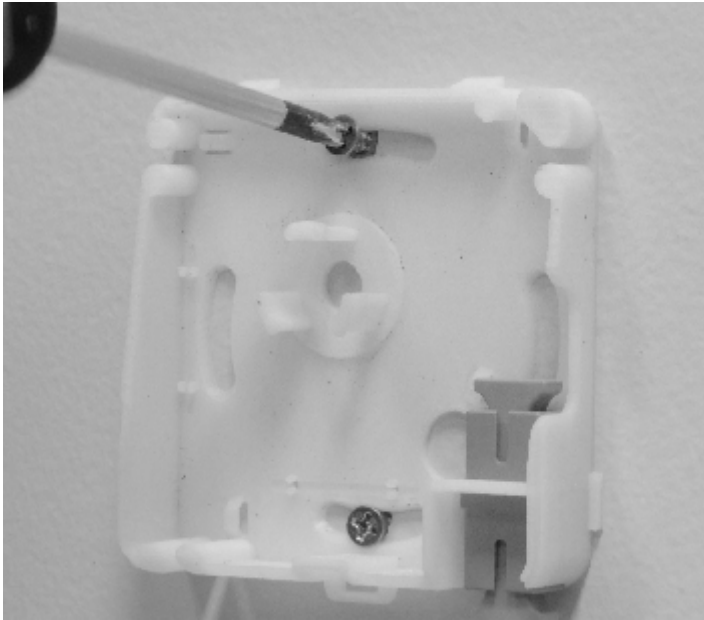
INSERT SCREW ANCHORS



3. INSERT TWO SCREW ANCHORS FLUSH WITH WALL.

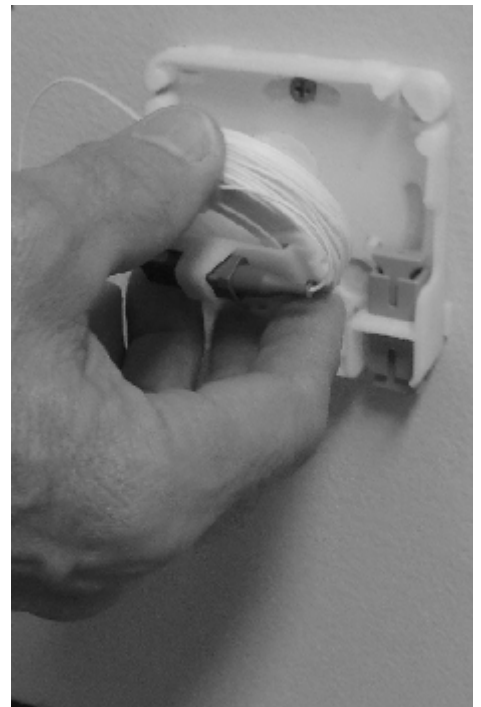
***PRELIMINARY INSTRUCTIONS
FOR REVIEW PURPOSES ONLY.***

FIX BASE



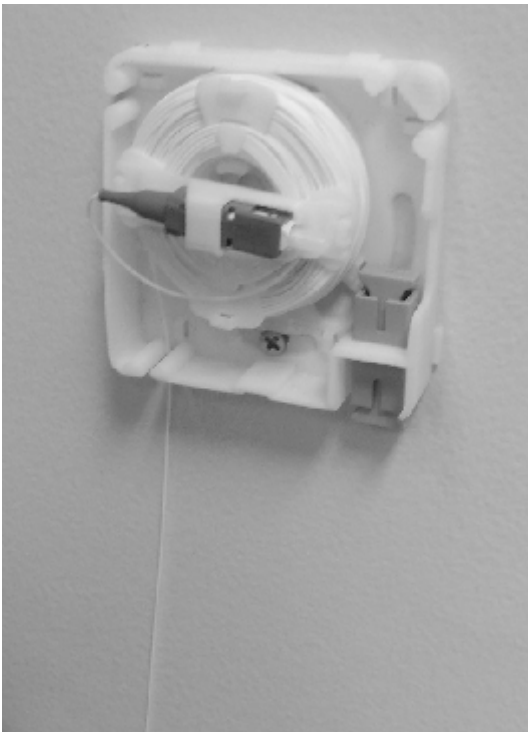
4. FIX THE BASE TO THE WALL USING 25MM LONG SCREWS SCREWED INTO ANCHORS AND THROUGH SLOTS AS SHOWN.

LOAD SPOOL



5. LOAD THE 25M FIBER SPOOL SO THAT THE (3) SPOOL LATCHES ENGAGE THE INNER SPOOL LIP AND SPINS FREELY.

UNSPPOOL FIBER



6. UNSPOOL THE REQUIRED LENGTH OF FIBER PULLING IT THROUGH THE APPROPRIATE OPENING IN THE BASE.

***PRELIMINARY INSTRUCTIONS
FOR REVIEW PURPOSES ONLY.***

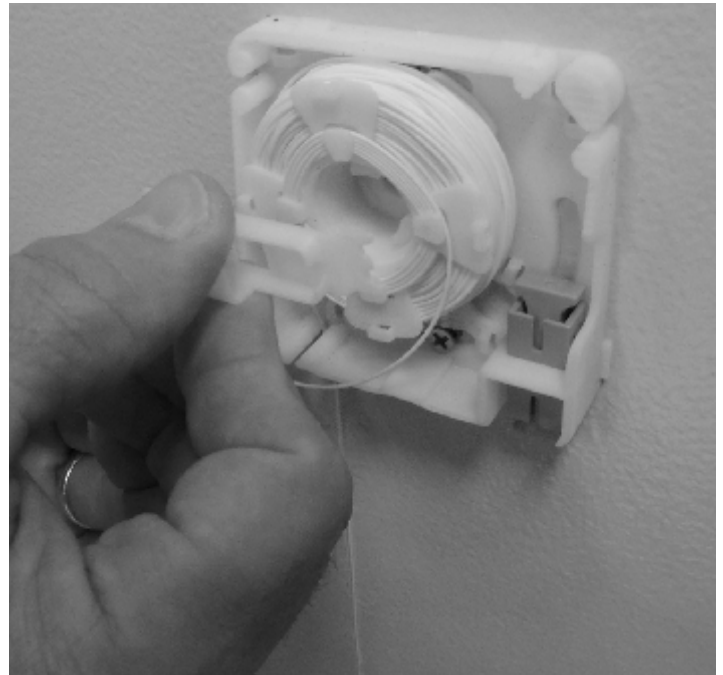
GLUE FIBER



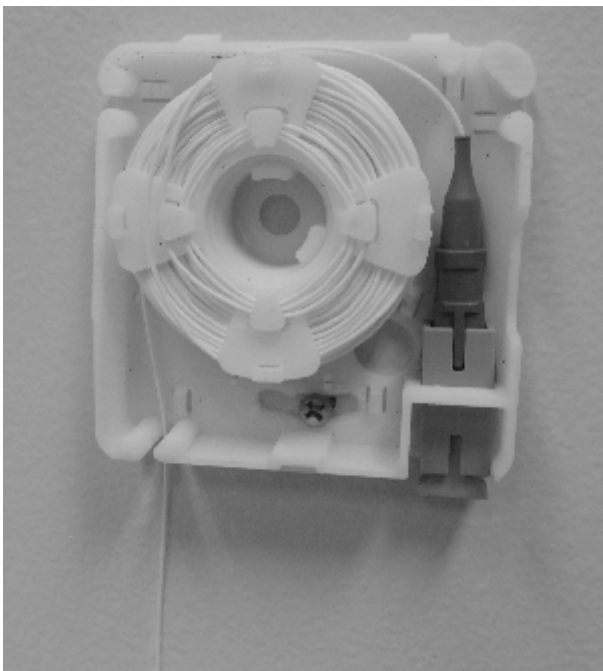
7. GLUE THE FIBER TO THE WALL AS PER OFS INVISILIGHT INSTRUCTIONS.

8. REMOVE SC CONNECTOR FROM SC RETAINER. THEN REMOVE THE SC RETAINER FROM THE SPOOL AND DISCARD THE RETAINER.

PREPARE SC CONNECTOR



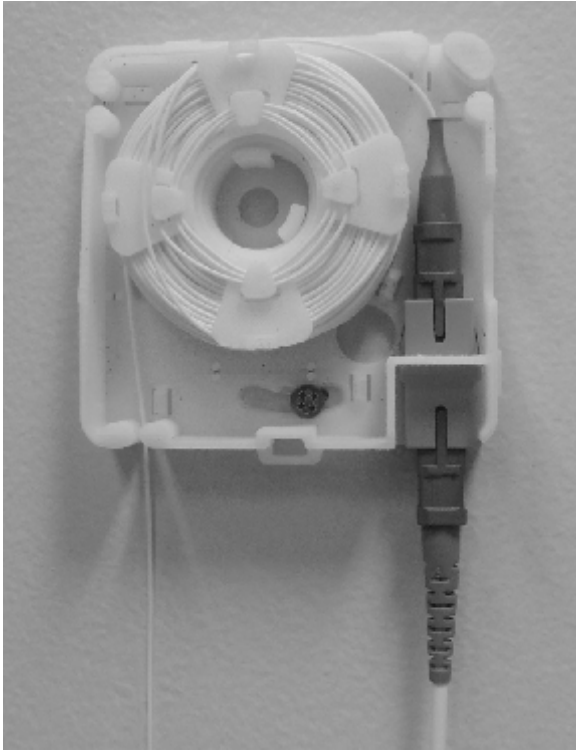
INSERT SC CONNECTOR



9. INSERT THE SC CONNECTOR INTO THE INSIDE PORT OF THE SC ADAPTER.

***PRELIMINARY INSTRUCTIONS
FOR REVIEW PURPOSES ONLY.***

INSERT JUMPER



10. INSERT THE FIBER JUMPER INTO THE OUTSIDE PORT OF THE SC ADAPTER.

FIX COVER



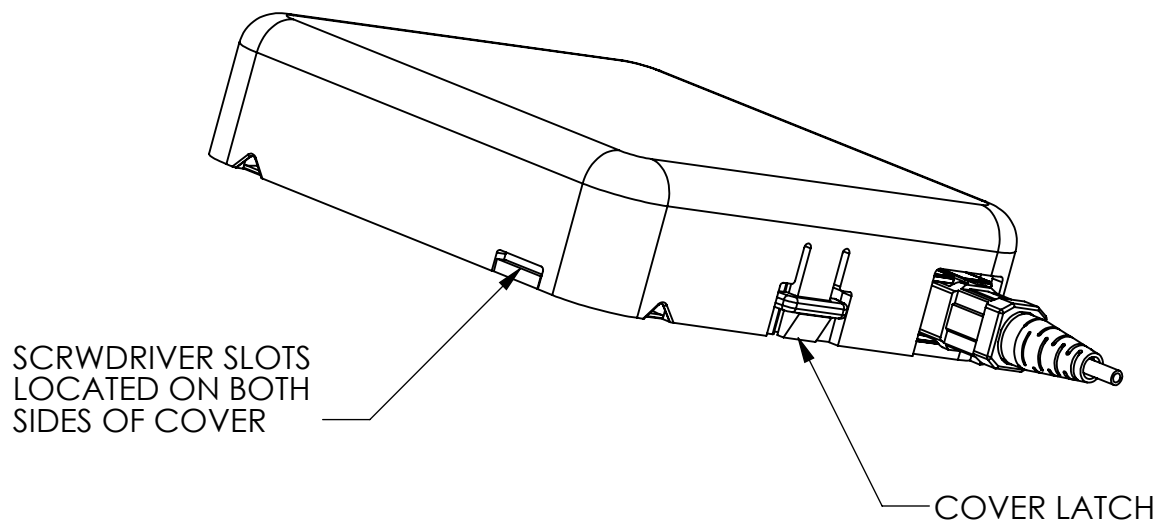
11. FIX THE EO MODULE COVER TO THE EO MODULE BASE.

***PRELIMINARY INSTRUCTIONS
FOR REVIEW PURPOSES ONLY.***

REMOVE COVER



12. USE A FLAT SCREWDRIVER TO REMOVE THE COVER. INSERT THE SCREWDRIVER INTO THE THE SCREWDRIVER SLOT. AT THE SAME TIME, PUSH IN THE COVER LATCH WHILE ROTATING THE SCREW DRIVER SHAFT. THE COVER WILL DISENGAGE ALLOWING IT TO BE REMOVED. IF NOT, THEN REPEAT ON OPPOSITE SIDE OF EO MODULE.



***PRELIMINARY INSTRUCTIONS
FOR REVIEW PURPOSES ONLY.***

BLANK PAGE FOR NOTES